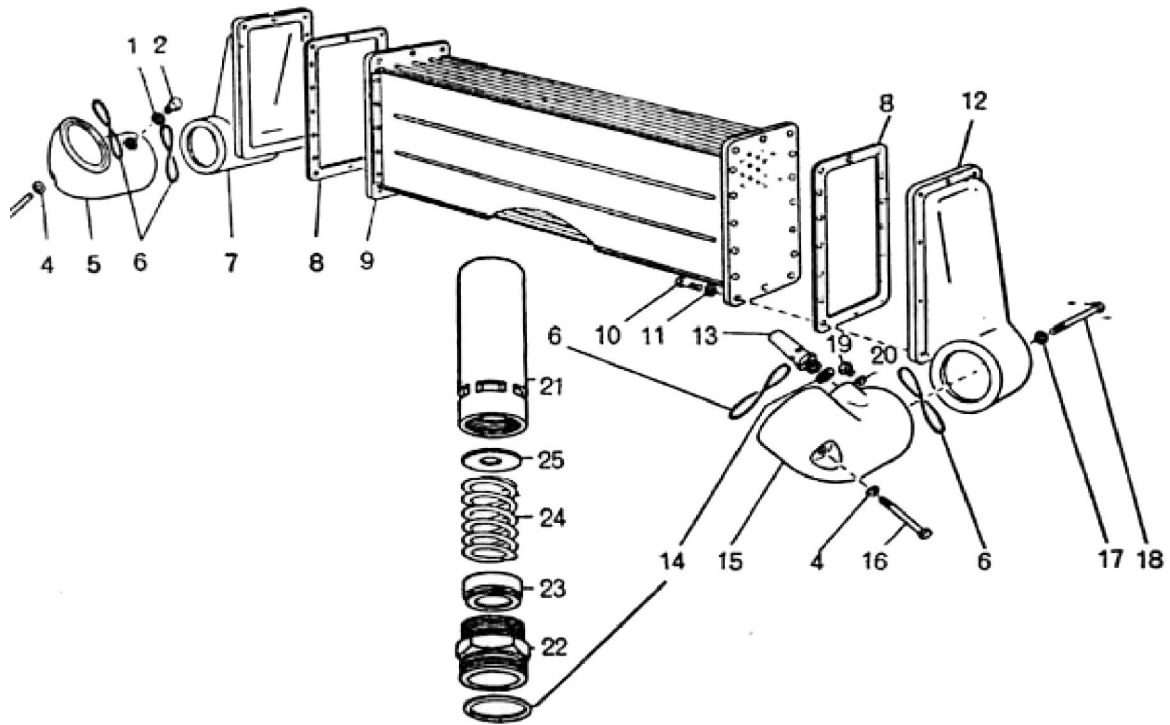


## 8. Intercooler (Tubular Type)



| No. | Description                       | Ref. Part No. | QTY |
|-----|-----------------------------------|---------------|-----|
| 1   | Copper washer                     | 0653112800    | 1   |
| 2   | Plug                              | 0686420400    | 1   |
| 3   | Screw                             | 0144337900    | 1   |
| 4   | Copper washer                     | 0653160200    | 2   |
| 5   | Elbow                             | 1614033002    | 1   |
| 6   | O-ring                            | 0663987200    | 4   |
| –   | Intercooler compl.                | 1614142280    | 1   |
| 7   | – Collector LP                    | 1614142000    | 1   |
| 8   | – Gasket                          | 1614142100    | 2   |
| 9   | – Intercooler core                | 1614142276    | 1   |
| 10  | – Cap screw                       | 0211524800    | 32  |
| 11  | – Spring washer                   | 0333212500    | 32  |
| 12  | – Collector HP                    | 1614141900    | 1   |
| 13  | Relief valve, compl.              | 1002127280    | 1   |
| 14  | Copper washer                     | 0653118900    | 2   |
| 15  | Elbow                             | 1614033102    | 1   |
| 16  | Screw                             | 0144337300    | 1   |
| 17  | Copper washer                     | 0653106200    | 2   |
| 18  | Screw                             | 0144338400    | 2   |
| 19  | Plug                              | 0686420300    | 1   |
| 20  | Copper washer                     | 0653110000    | 1   |
| 21  | Housing valve (Not suppl.sep.)    | 1090144800    | 1   |
| 22  | Seat valve (Not suppl.sep.)       | 1002127200    | 1   |
| 23  | Plunger (Not suppl.sep.)          | 1090144700    | 1   |
| 24  | Spring, helical (Not suppl.sep.)  | 1090036400    | 1   |
| 25  | Washer 14/28 x 3 (Not suppl.sep.) | 9718205200    | 3   |
| 26  | Copper washer                     | 0653118900    | 1   |